

8105

All Wheel Steer Loaders



**WACKER
NEUSON**
all it takes!



The intelligent high-performance wheel loader

The wheel loader 8105 is equipped with the proven system of the one-piece chassis. The machine impresses with high-performance parameters, reliability and comfort as well as with simultaneous optimum manoeuvrability and excellent stability. The unique high-performance engine of 100hp is optionally available and turns the 8105 into a real high-performance loader. The perfectly positioned operator's cabin in combination with the extensive glazing provide optimal all-round visibility.

- Propulsive force: Maximum propulsive forces and best traction through efficient high-pressure drive systems and 100% differential lock
- Safety: The wide entries and exits on both sides provide safe access to the cabin
- 24-inch tires: The optional 24 inch tires provide perfect traction, excellent quiet running and optimal lifting capacity
- Maximum flexibility: The three steering modes: front-wheel, all-wheel and crab steering, are available as standard
- Panoramic cabin: The large cabin (2.3 m³) with entry on both sides, as well as the large-area glazing provide excellent all-round visibility

8105 Technical specifications

Engine / Motor

Engine / Motor manufacturer	Deutz TCD 2.9 /3.6
Engine performance (standard)	55.4 kW
Emission standards stage (standard)	IIIB
Emission standards stage (option)	IV

Weights

Operating weight	5,550 kg
Payload (S=1.25)	2,500 kg
Tipping load (with bucket)	4,100 kg

Vehicle data

Bucket capacity (standard bucket)	1.05 m ³
Traction drive	Continuously variable, hydrostatic axial piston transmission
Travel speed (standard)	20 km/h
Speed (optional)	30 km/h
Speed (optional)	40 km/h
Standard tires	14.5-20
Differential lock	100% front + rear axle
Steering angle max.	2x40 °
Type of kinematics	Parallel kinematics
Tilt-in angle	50 °
Dump angle	42 °

Hydraulic system

Operating hydraulics - operating pressure max.	240 bar
Operating hydraulics - discharge capacity max.	84 l/min
Operating hydraulics - discharge capacity max. Powerflow	120 l/min

Filling capacities

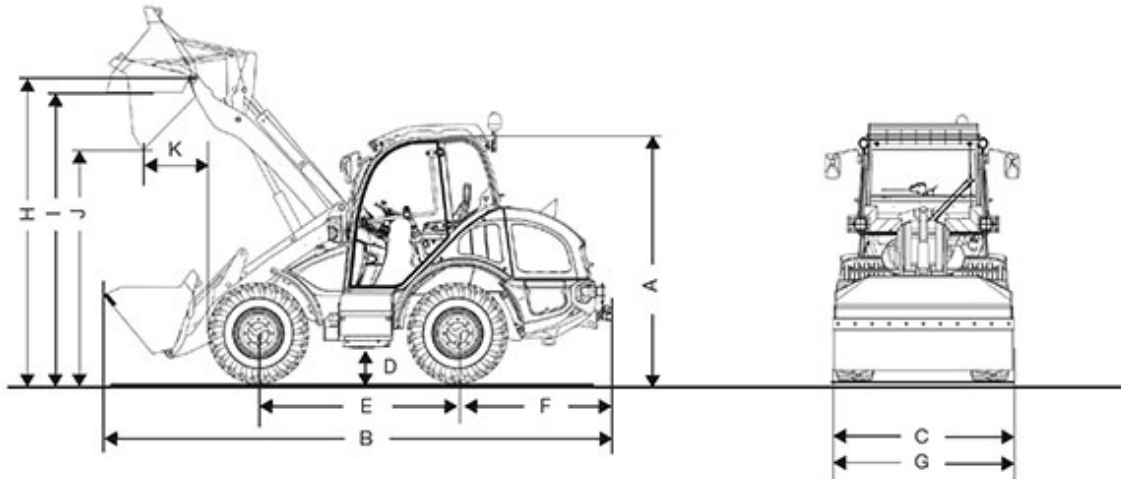
Fuel tank capacity	120 l
Tank capacity DEF	10 l
Hydraulic oil tank	64 l

Sound level

Sound level (LwA)	100 dB(A)
Guaranteed sound power level LwA	101 dB(A)

Additional technical data is available in the detailed brochure in the informational material section

8105 Dimensions



Dimensions

A	Height	2,640 mm
B	Overall length	5,710 mm
C	Overall width	1,920 mm
D	Ground clearance	350 mm
E	Wheelbase	2,150 mm
-	Center of front axle to tip of teeth	1,940 mm
F	Center of rear axle to end of vehicle	1,620 mm
G	Bucket width	2,050 mm
H	Hinge pin height	3,259 mm
I	Overhead loading height	3,050 mm
J	Dump height max.	2,500 mm
K	Dump reach	750 mm
-	Stack height	3,000 mm
-	Radius (turning) over tires	2,950 mm

Please note: that product availability can vary from country to country. It is possible that information / products may not be available in your country. More detailed information on engine power can be found in the operator's manual; the stated power may vary due to specific operating conditions. Subject to alterations and errors excepted. Applicable also to illustrations.

Copyright © 2022 Wacker Neuson SE.