



DW50  
Wheel Dumpers



Professional material handling – agile, fast and effective.

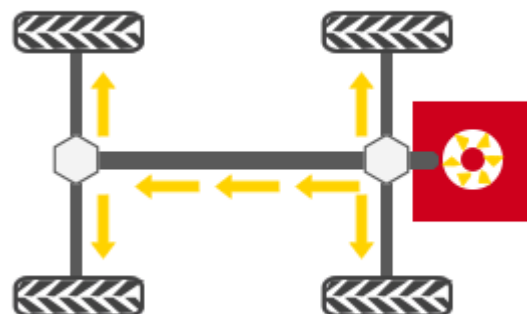
The DW50 dumper combines a compact design with powerful engine and hydrostatic all-wheel drive making it capable of hauling more in less time, reducing cycle times and increasing efficiency. This 5-ton class dumper offers a payload of 11,023 lbs. and driving speed up to 17.4 mph, plus its ability to travel across rough terrain makes it extremely versatile for moving all types of material on any job site. The unique compact design along with the powerful 74.2 hp engine allows the DW50 to access confined areas but provide the power needed to move heavier loads.

- Tier 4 Final turbo charged diesel engine with Diesel Oxidation Catalyst (DOC) aftertreatment requires no diesel particulate filter, no regeneration and no maintenance
- Efficient hydrostatic all-wheel drive with ECO mode for reduced fuel consumption
- Swivel bucket allows material to be unloaded on either side of the unit for added versatility
- Comfortable operator's station is easily accessible for added convenience. Intuitive operation using the joystick handle allows for single handed control of bucket operation, drive direction, travel speed and horn
- Easy maintenance access and large servicing area with one-piece flip engine hood



Hydrostatic all-wheel drive

- Total focus on the job, no busy shifting of gears
- One central hydraulic engine drives both axles via a cardan shaft
- Hydrostatic braking effect as soon as the foot is taken off the accelerator pedal
- Low-wear drive for reduced service and maintenance costs
- Controlled delay for regulated switching, thus no abrupt change of drive
- Accelerate from 0 to maximum speed of 28km/h without traction loss





Articulated pendulum joint

- Supreme off-road capability even under full load
- Optimum ground contact and excellent traction in rough terrain



Joystick control

- All controls such as switches and joysticks are placed on the right side so the operator's left hand can always remain on the steering wheel.
- Multiple functions - one handle: the joystick controls skip operation, gear shift, change of direction and the ECO mode.

Maximum safety combined with premium comfort

- Road homologation lighting.



- Back-up alarm: an acoustic alarm signals when the drive is in reverse gear.





- Optional: A camera and display minimize the blind spot in front of the vehicle, thus ensuring even more safety.



- Optional: A rotating beacon enhances the vehicle's visibility.



- Seat contact switch: If the driver leaves the driver's seat, the engine reduces speed to full stop.



#### Swivel tip skip

The 180° seamless tip-out capability allows the swivel tip skip to deliver materials right on the spot – ideal in narrow spaces.

- When transporting liquids on slopes, the skip can be leveled accordingly
- Swivels 90° to the left and 90° to the right
- Enables lateral filling and discharging.



## DW50 Technical specifications

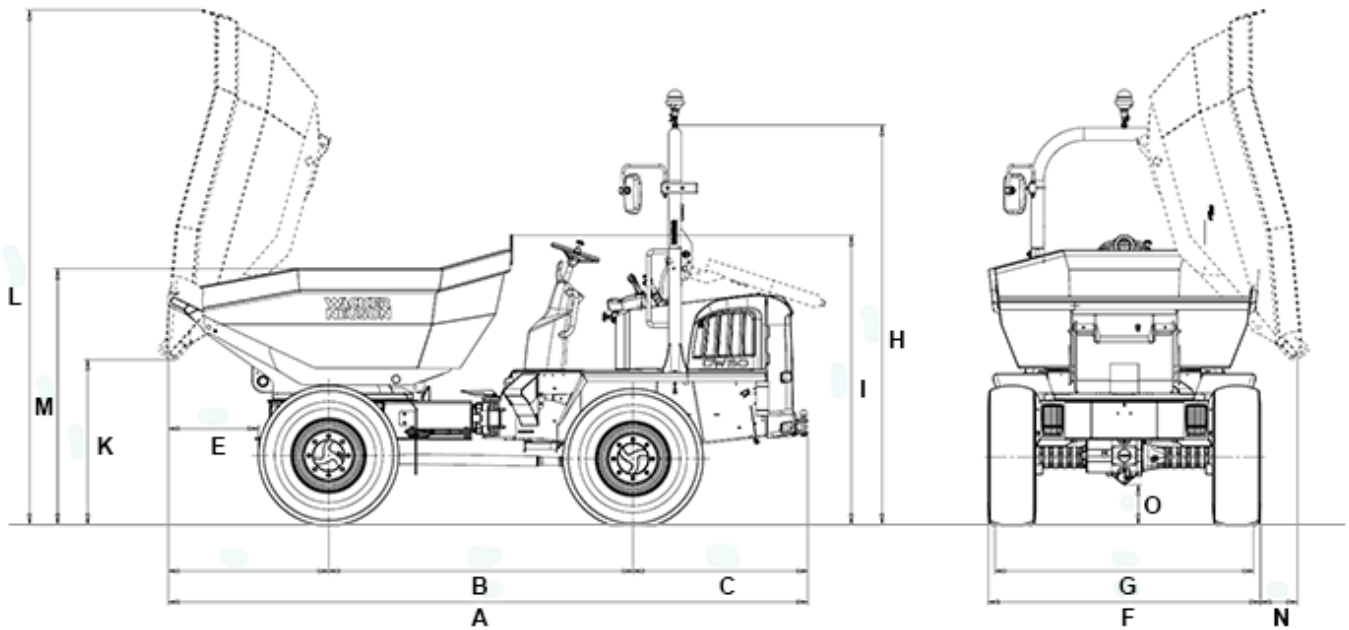
with swivel tip skip

### Operating data

Payload	5,000 kg
Shipping weight ROPS	3,445 kg
<b>Engine / Motor</b>	
Engine / Motor manufacturer	Deutz
Engine / Motor type	TCD 2.9
Engine performance - ISO 3046/1	55.4 kW
Displacement	2,925 cm <sup>3</sup>
Engine RPM	2300 rpm
Travel speed	28 km/h
Articulation angle	37 °
Pendulum angle	15 °
Turning radius	4,250 mm
Gradeability	50 %
Tires	12.5-18, 12PR
L x W x H	4495 x 1915 x 2815 mm
Steering pump	Axial piston pump
Flow rate	132 l/min
Operating pressure	450 bar
Duty pump	Gear pump
Flow rate	45 l/min
Operating pressure	220 bar
Fuel tank capacity	50 l
Sound level (LwA)	101 dB(A)



## DW50 Dimensions



A	Overall length	4,495 mm
B	Wheelbase	2,140 mm
C	Rear overhang	1,230 mm
E	Dumping distance	630 mm
F	Width	1,915 mm
G	Skip width	1,910 mm
H	Height ROPS	2,815 mm
I	Height ROPS down	2,030 mm
K	Dump height max.	1,160 mm



**WACKER  
NEUSON**  
*all it takes!*

L	Skip height tilted skip	3,620 mm
M	Skip height flat skip	1,790 mm
N	Dumping distance	260 mm
O	Ground clearance	370 mm
--	Dump angle	48 °

Please note

that product availability can vary from country to country. It is possible that information / products may not be available in your country. More detailed information on engine power can be found in the operator's manual; the stated power may vary due to specific operating conditions.

Subject to alterations and errors excepted. Applicable also to illustrations.

Copyright © 2018 Wacker Neuson SE.