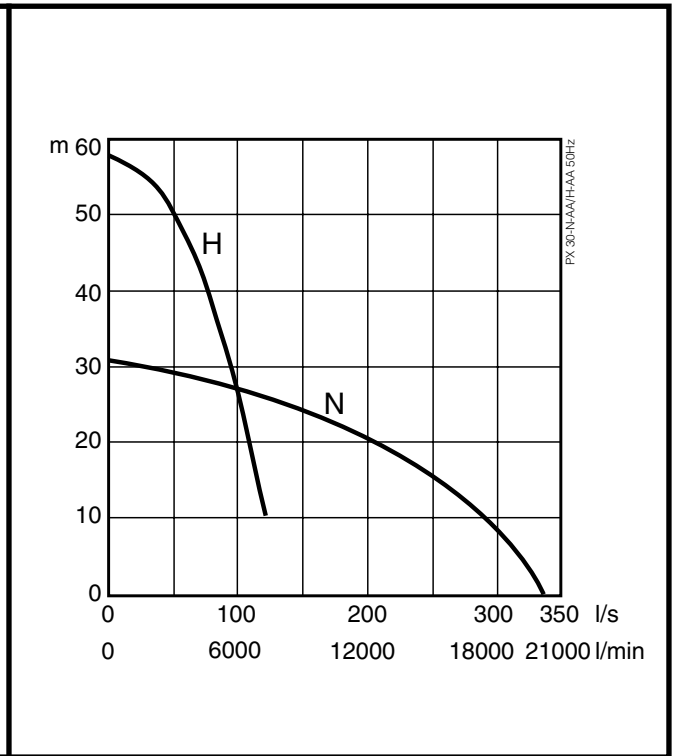
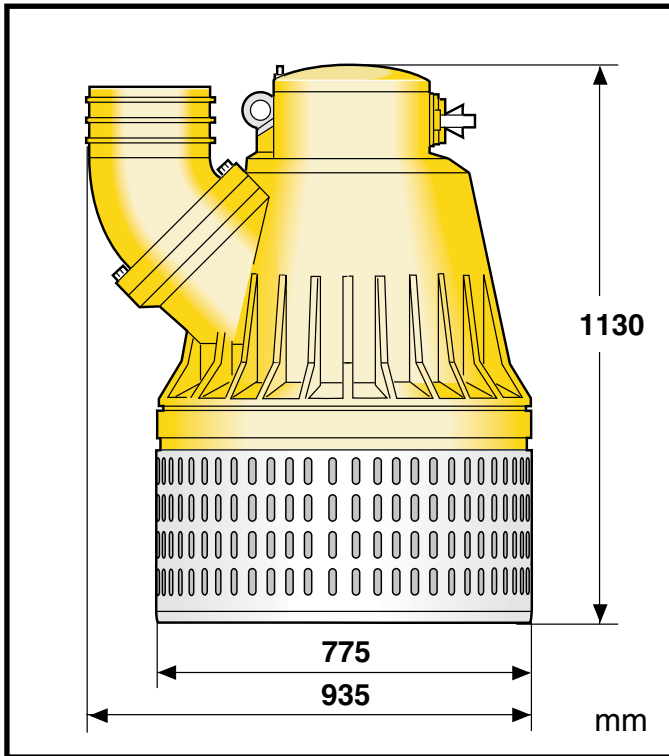


Submersible drainage pump

PX 30

50 Hz



Specification

Electric submersible pump with double outer casing. Protection class IP 68. Class F insulation. Maximum submergence: 20 m. Strainer hole 12 x 60 mm.

Pump Types

PX 30 N Medium head, PX 30 H High head

Electric Motor

3-phase squirrel-cage induction motor.
 Motor rating P_2 : 56.0 kW
 Speed: 1450 rpm

Voltage, V	230	400	500	1000
Nominal current, A	190	110	84	42

Power Cable

20 m type H07RN-F:
 2-4 x 35 sq.mm. (230 V)
 2-4 x 16 sq.mm. (400-500 V)
 4 x 35 sq.mm. (400-500 V)
 20 m type NSSHÖU-J 4 x 16 sq.mm. (1000 V)
 Control cable: 20 m type A07RN-F 7 x 1,5 sq.mm.

Motor Protection

Thermal Control System with temperature sensors in the motor windings for automatic shut-down in case of overheating.
 Seal Monitoring System with leakage sensor in the junction box for automatic shut-down if water has entered into the box. Leakage sensor in the oil chamber indicating presence of water in the oil.
 Bearing Monitoring System with temperature sensors at upper and lower bearing indicating excessive temperature.

Shaft Seal

Double mechanical seal in oil bath.
 Primary seal: Silicon carbide on silicon carbide
 Secondary seal: Carbon on stainless steel

Bearings

Upper bearing: Singel-row deep groove ball bearing
 Lower bearing: Double angular contact ball bearing

Materials

	EN	ASTM
Casing and castings:	Aluminium EN1706:AC-43100	ASTM AISI10mg
Strainer and fasteners:	Stainless steel 10088:X5CrNi18-10 (1.4301)	AISI 304
Shaft:	Stainless steel 10088:X20Cr13 (1.4021)	AISI 420
Impeller:	Hardened chrome steel 10088:X30Cr13	AISI 420 (1.4028)
Rubber parts:	Nitrile rubber	

Discharge Connections

6" (H standard), 8" (N standard), 10" hose connections. G 6", 8" B.S.P. threaded connections.

Weight (without cable)

525 kg

Options and Accessories

Portable control unit for star-delta starting complete with all switching and control elements.
 Conversion kit for series connection (H).
 Automatic level control unit.
 Zinc anodes.

